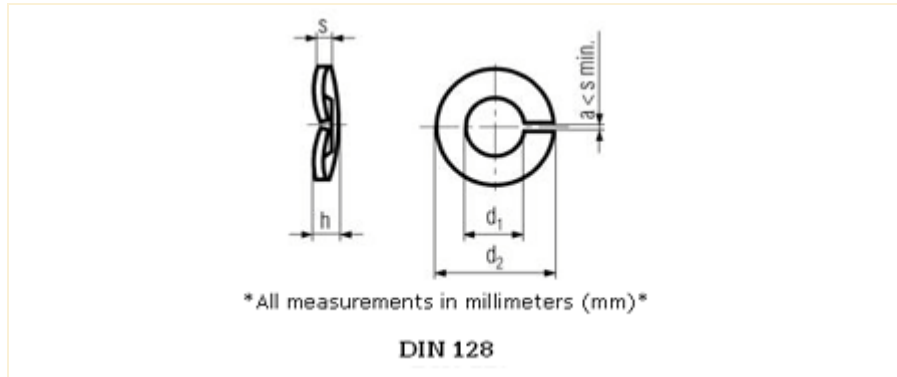


Spring Washers Heavy Duty



d1	for screw size	d2	s	h min	h max
2.1	M2	4.4	0.5	0.7	0.9
2.6	M2.5	5.1	0.6	0.9	1.1
3.1	M3	6.2	0.7	1.1	1.3
3.6	M3.5	6.7	0.7	1.1	1.3
4.1	M4	7.6	0.8	1.2	1.4
5.1	M5	9.2	1	1.5	1.7
6.1	M6	11.8	1.3	2	2.2
8.1	M8	14.8	1.6	2.45	2.75
10.2	M10	18.1	1.8	2.85	3.15
12.2	M12	21.1	2.1	3.35	3.65
14.2	M14	24.1	2.4	3.9	4.3
16.2	M16	27.4	2.8	4.5	5.1
18.2	M17	29.4	2.8	4.5	5.1
20.2	M20	33.6	3.2	5.1	5.9
22.2	M21	35.9	3.2	5.1	5.9
24.5	M24	40	4	6.5	7.5
30.5	M30	48.2	6	9.5	10.5

[Request a quote](#)